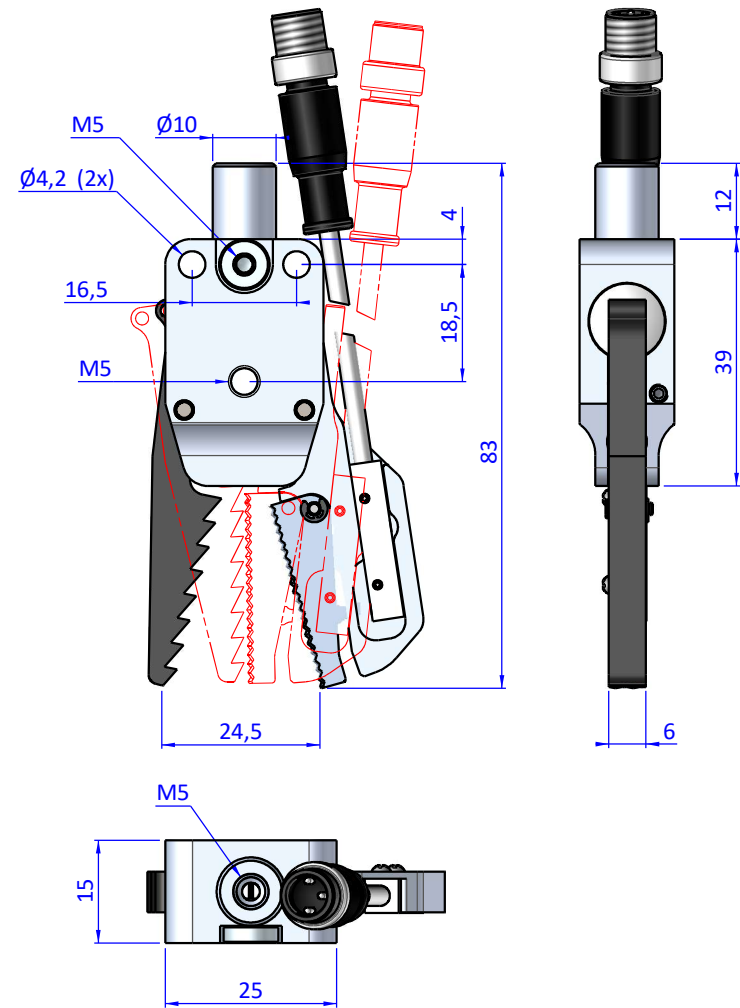
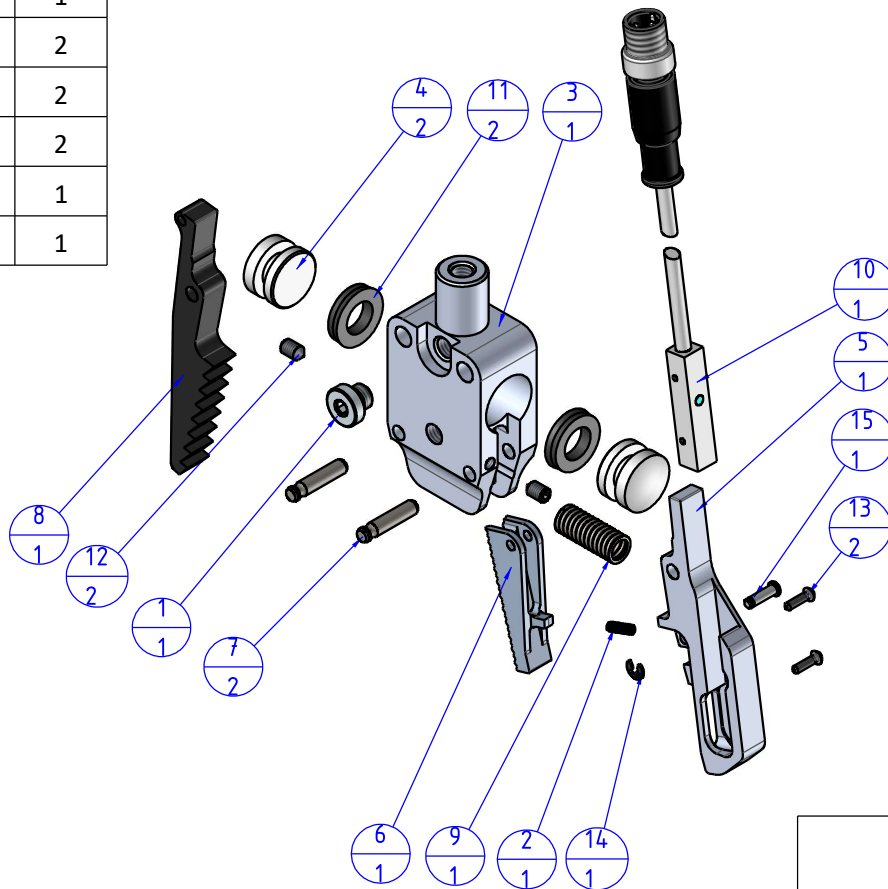



THE PROPERTY OF THE DRAWING IS ESTABLISHED BY LAW. IT IS FORBIDDEN TO PRODUCE OR SHOW IT TO THIRD PART WITHOUT A WRITTEN AGREEMENT.

Item	Name	Qty.
1	CA.08.14.013	1
2	DIM.D10620	1
3	GZA.10.12.1.L	1
4	GZA.10.12.2	2
5	GZA.10.12.3.S	1
6	GZA.10.12.3.S1	1
7	GZA.10.12.5	2
8	GZA.10.12.19	1
9	M.6x25.SH	1
10	MMD.IL5AN3AVF80	1
11	PSP.1269255	2
12	V.STM3X5	2
13	V.TBCE1,6X6	2
14	A.ELA.RA1.5	1
15	SP.2x7.5SS	1



Format A3

UNI 936-76

 <b>FPS</b> FPSERVICES AUTOMATION		DESIGNED FROM <b>FPS Automation</b>		REVIEW <b>A</b>
		DATE <b>24/02/2020</b>	WEIGHT <b>0,067kg</b>	
GENERAL TOLERANCE UNI - ISO 2768 CLASSE f	DESCRIPTION <b>CA.GZA.10.12.S9N</b>		CODE <b>CA.GZA.10.12.S9N</b>	